



The modern, low-sloped roof and increased overhang of the Urban Pavilion provide the perfect setting for year-round fun, from outdoor dining and entertaining, to reading or relaxing by the pool. That means you can make the most of your backyard space—rain, snow, or shine, the Urban Pavilion has you covered!

STANDARD FEATURES

- Fresh, open-air design
- Contemporary flat roof (1/12 pitch) with 2' overhang
- Covered canopy for entertaining and relaxing
- Premium STK Western Red Cedar with stainless steel finish nails
- Post and beam brackets
- Full 2-year warranty on materials and craftsmanship!

POPULAR OPTIONS

- STK or Clear cedar-wrapped posts and beams
- Clear cedar trim, soffit/ceiling, fascia
- Doors + windows in various sizes and materials



12' x 14' Urban Pavilion w/o wrap



10' x 14' Urban Pavilion w/ wrap

MATERIAL SPECIFICATIONS

Our materials are chosen for their exceptional quality, durability, and breathtakingly good looks! There are so many ways to customize your Urban Pavilion that they can't all be listed here. Learn more by visiting our [building materials](#) page.

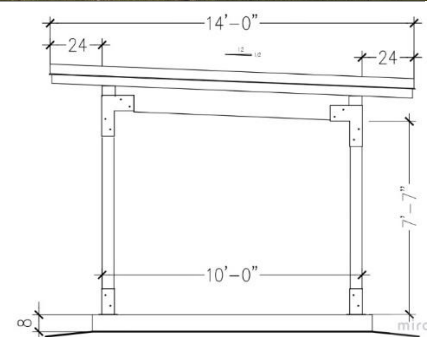
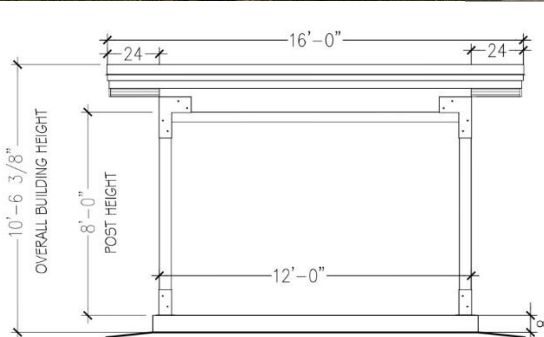
	STANDARD	POPULAR OPTIONS + UPGRADES
POSTS + BEAMS	- 6x6 pressure treated posts - Post and beam brackets	- 6x6 Douglas fir or cedar posts - STK or clear cedar-wrapped posts and beams
ROOF	- engineered roof system - 5/8" T&G plywood sheathing - 1x8 STK Western Red Cedar channel soffit/ceiling - stainless steel fasteners	- EPDM (rubberized membrane) roofing material (comes standard with installation) - 6" clear cedar T&G V-joint soffit/ceiling
TRIM	- 1x8 STK Western Red Cedar corner boards, fascia - stainless steel fasteners	- 6" clear cedar corner boards, fascia



12'x14' Urban Pavilion

DIMENSIONS AND SIZES

The Urban Pavilion is available in any size you like—the layout is completely up to you! The height of the structure is dictated by the depth, post height, and beam dimensions. To see a range of optional sizes, visit the [style page](#). To better visualize the Urban Pavilion's layout, take a [3D tour](#).



10x12 Urban Pavilion

EASE OF ASSEMBLY

The Urban Pavilion includes clear instructions and diagrams that will walk you through every step of the building process. Alternatively, the "advice" section of our website is full of helpful tips on what to look for in a good [contractor](#). Whatever you choose, our online / telephone [assembly support](#) is always within reach!

BUILDING PERMITS

The need for a permit hinges on a number of variables, including your pavilion's height, footprint, location, intended use, and more. Check with your local by-law office to find out if your Urban Pavilion will require a permit. If you do need a permit, we will provide you with all the necessary details, drawings, and guidance to make it easy. Visit our [building permits](#) page for more info.

INSTALLATION

Are you in our installation area? If your site is within a few hours of our Toronto showroom, consider having your Pavilion installed by Summerwood!

FOUNDATION

The preferred [foundation](#) for an Urban Pavilion is a floating concrete slab. Piers may also be an option.